

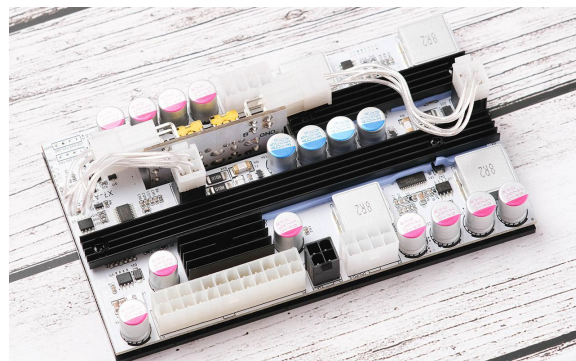


# X7-ATX-500 Data Sheet

## 16-28v Input 500w Output DC-DC ATX Power Supply

### SPECIAL FEATURES

- ✧ Small, Silent and Smart PSU [S<sup>3</sup>PSU]
- ✧ Operates at Wide Range Input Voltage [16V-28V]
- ✧ High Efficiency [>90%]
- ✧ 8-Bit Microcontroller Inside with Intelligent Control
- ✧ Highly Reliable Electrolytic Capacitors
- ✧ OCP, OVP, and OTP
- ✧ Heatsink Included
- ✧ 150mm(L) \* 85mm(W) \* 25mm(H)



### DC INPUT

NO	DC Input Voltage	DC Jack	DC Input Cable Length
1	16V-28V (OVP at 28.2~28.5V)	7.4mm x 5.0mm	25mm
2	16V-28V (OVP at 28.2~28.5V)	7.4mm x 5.0mm	25mm


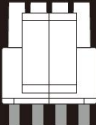
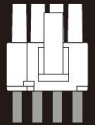


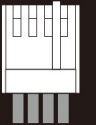
Note: The two DC jacks on backside of power supply are connected to the board EPS 4pin connectors using silver jacketed wires. Users can feed the input voltages directly into the EPS 4pin connectors on board, without using the 7.4x5.0mm DC jacks.

### POWER RATINGS

Voltage Rail	Max Load	Peak Load	Regulation
+5V	10A	12A	±1.5%
+5VSB	2.5A	3A	±1.5%
+3.3V	10A	12A	±1.5%
-12V	0.05A	0.1A	±5.0%
+12V (channel 1)	12A	18A	±1.5%
+12V (channel 2)	12A	18A	±1.5%

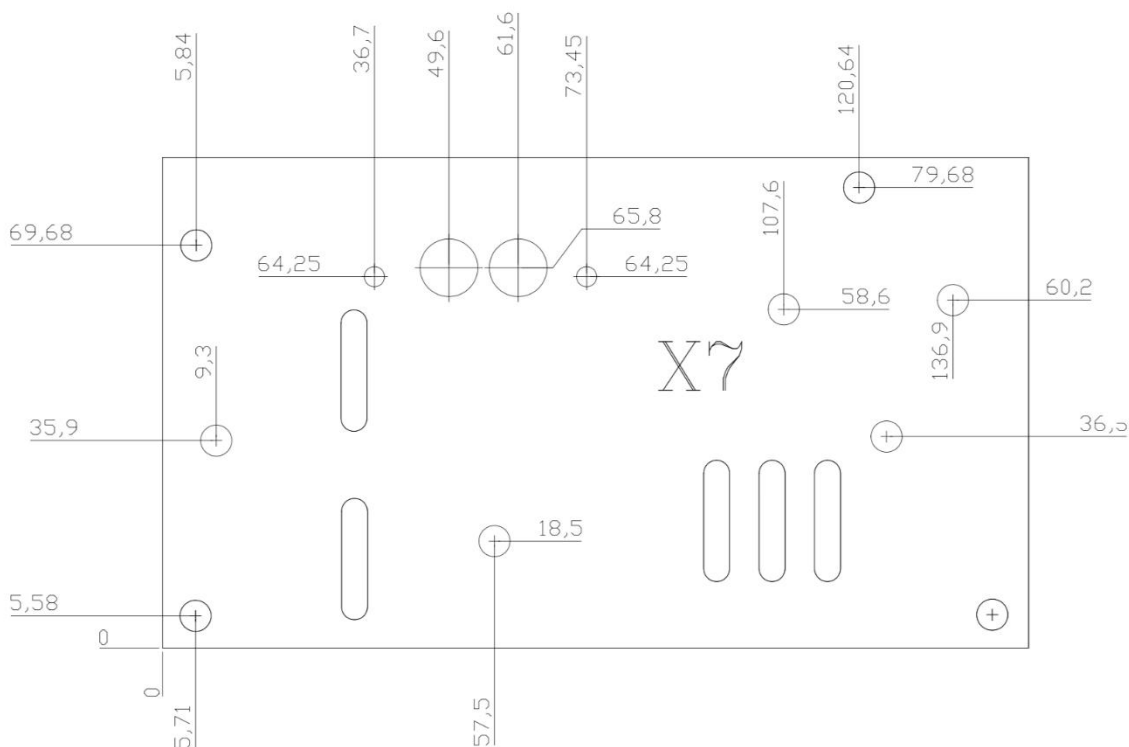
Note: Forced air ventilation is required for operating at max load. For fanless or improper ventilation operation derate the output of the 3.3 and 5V rails until PSU temperature falls below 65°C. Peak load should not exceed 60 seconds. Combined max power output should not exceed more than 500 Watts.

### WIRE & CONNECTOR CONFIGURATION

Connector						
Model	Main Power (20P+4P) 350mm	EPS 12V (4P+4P) 400mm	PCI-E (6P+2P) 400mm	SATA 300mm	Peripheral (4P)	FDD (4P)
X7-ATX-500	1	1	1	3	1	0

### MOUNTING HOLES OF BACKPLANE

Unit is mm. Note that the mounting hole distance is compatible with the standard ATX power supply.



### I/O PIN DIAGRAM

Voltages on P1, P2 and P4 are generated from CN1 DC input1, while 12V on P3 is generated from CN2 DC input 2. If you have only one input source, you can connect CN1 and CN2 together (red to red, black to black).

